

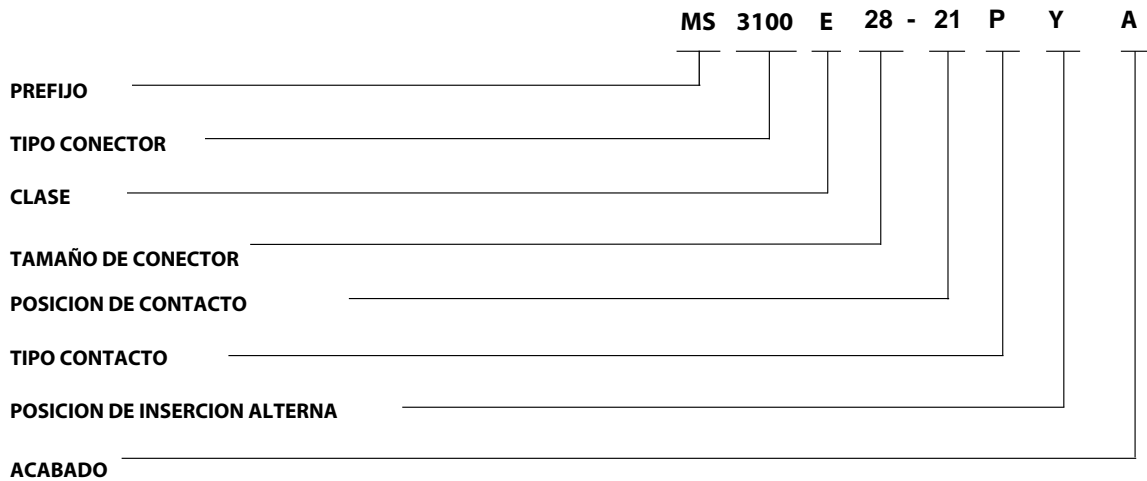
# 5015

## CONECTORES





## ● Información para referenciar



### TIPO CONECTOR

- 100** - Base Pared Roscada
- 101** - Prolongador
- 102** - Base Pared
- 106** - Conector Aereo
- 108** - Conector Aereo 90°

### TAMAÑO CONECTOR

10SL, 12S, 14S, 14, 16S, 16, 18, 20, 22, 24, 28, 32, 36, 40

### CLASE

- A** - Aplicación general. Con adaptador de rosca
- E** - Aplicaciones con aislante sellado.

### TIPO CONTACTO

- P** - Macho
- S** - Hembra

**F** - Aplicaciones con abrazadera de cable y grommet.

### ACABADO

- N** - Niquel electrolítico
- W** - Verde oliva
- Z** - Cromado verde, sobre cincado (RohS)



## ● Datos técnicos

### Materiales y acabados

|                 | Materiales        | Acabados  |
|-----------------|-------------------|---|
| <b>CARCASA</b>  | Aleacion de ALU.  | Cromato de oliva con revestimiento sobre el cinc o cadmio |
| <b>AISLANTE</b> | Polychloropren    | -   |
| <b>CONTACTO</b> | Aleacion de cobre | Baño de plata   |

### Características

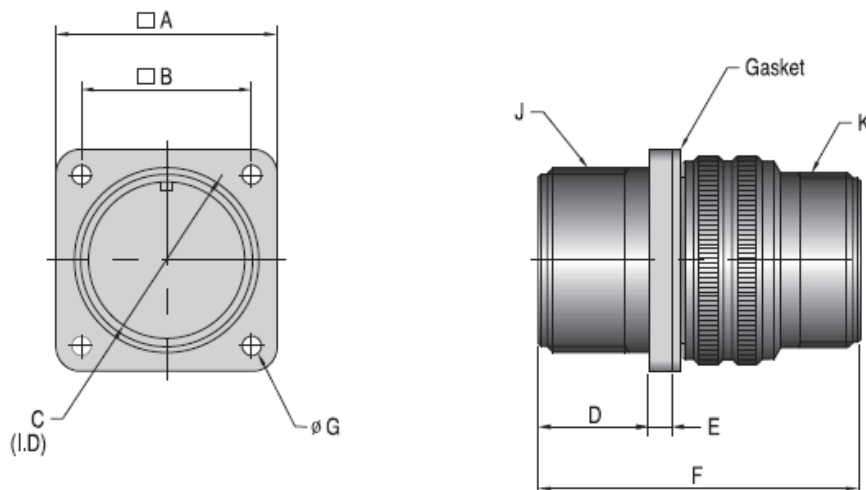
|                                   |                                 |
|-----------------------------------|---------------------------------|
| <b>Resistencia al aislamiento</b> | 5,000M Minimo (at 25)           |
| <b>Rango de Temperatura</b>       | -55 to 125°                     |
| <b>Durabilidad</b>                | 500 Ciclo Conexion / Deconexion |
| <b>Prueba en agua</b>             | IP67                            |

| Resistencia dielectrica de Tension |                      |                   |       | Contactos y separacion al arco electrico |                |          |        |
|------------------------------------|----------------------|-------------------|-------|--|----------------|----------|--------|
| Servicio Ratio                     | Test Voltaje AC(rms) | Operacion Voltaje |       | Contacto Tamaño                          | Fuerza en Lbs. |          |        |
|                                    |                      | AC                | DC    |  | Maximo         | Promedio | Minimo |
| Inst.                              | 1,000                | 200               | 250   | #16                                      | 3.00           | 2.10     | 0.25   |
| A                                  | 2,000                | 500               | 700   | #12                                      | 5.00           | 3.50     | 0.50   |
| D                                  | 2,800                | 900               | 1,250 | #8                                       | 10.00          | 7.00     | 0.75   |
| E                                  | 3,500                | 1,250             | 1,750 | #4                                       | 15.00          | 10.50    | 1.00   |
| B                                  | 4,500                | 1,750             | 2,450 | #0                                       | 20.00          | 14.00    | 2.00   |
| C                                  | 7,000                | 3,000             | 4,200 |  |                |          |        |

| Tamaño Contacto |                  |                   | Trabajo Actual (con aislante) | Resistencia Contacto |                        | Rango de alojamiento AWG |                 |                                |
|-----------------|------------------|-------------------|-------------------------------|----------------------|------------------------|--------------------------|-----------------|--------------------------------|
| Tamaño          | Pin Contact Dia. | Pin Soldaura Dia. |                               | Test Paso (A)        | Potential paso Max(mV) | AWG *                    | mm <sup>2</sup> | Material Dielectric Fuera Dia. |
| #16             | 1.6              | 2.0               | 13A                           | 20A                  | 21                     | #22 ~ #16                | 1.3             | 1.7 ~ 3.3                      |
| #12             | 2.4              | 3.0               | 23A                           | 35A                  | 20                     | #14 ~ #12                | 3.5             | 2.9 ~ 4.3                      |
| #8              | 3.6              | 5.2               | 46A                           | 60A                  | 12                     | #10 ~ #8                 | 8.0             | 4.2 ~ 6.4                      |
| #4              | 5.7              | 8.5               | 80A                           | 110A                 | 10                     | #6 ~ #4                  | 22.0            | 7.0 ~ 9.4                      |
| #0              | 9.1              | 12.0              | 150A                          | 200A                 | 10                     | #2 ~ #0                  | 50.0            | 10.6 ~ 14.0                    |

\* A.W.G : American Wire Gauge

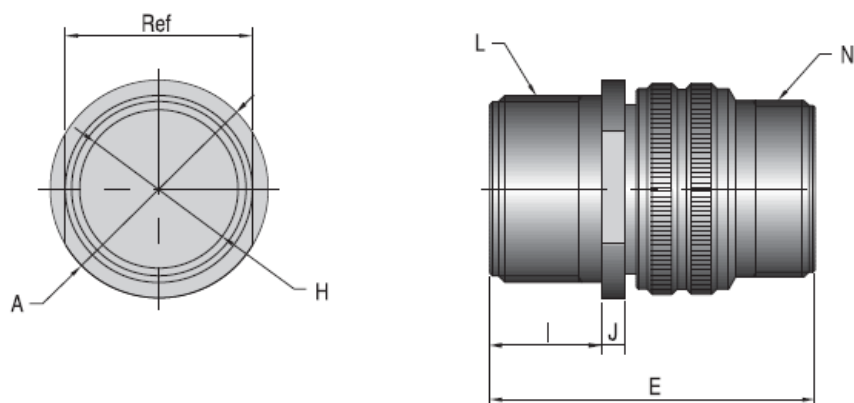
## ● BASE PARED ROSCADA MS3100A



| Cota   | ■ A    | ■ B   | C              | D              | E    | F     | G              | J             | K              |
|--------|--------|-------|----------------|----------------|------|-------|----------------|---------------|----------------|
| Tamaño | - 0.79 | 0.12  | +0.38<br>-0.00 | +0.38<br>-0.00 | 0.20 | MAX.  | +0.25<br>-0.12 | Rosca-2A      | Rosca-2A       |
| 8S     | 23.00  | 15.10 | 9.40           | 14.28          | 3.00 | 37.31 | 3.05           | 1/2-28 UNEF   | 1/2-28 UNEF    |
| 10S    | 25.40  | 18.26 | 11.38          | 14.28          | 3.00 | 38.88 | 3.05           | 5/8-24 UNEF   | 1/2-28 UNEF    |
| 10SL   | 25.40  | 18.26 | 11.38          | 14.28          | 3.00 | 38.88 | 3.05           | 5/8-24 UNEF   | 5/8-24 UNEF    |
| 12S    | 27.97  | 20.62 | 14.15          | 14.28          | 3.00 | 42.87 | 3.05           | 3/4-20 UNEF   | 5/8-24 UNEF    |
| 12     | 27.97  | 20.62 | 14.15          | 19.05          | 3.00 | 52.37 | 3.05           | 3/4-20 UNEF   | 5/8-24 UNEF    |
| 14S    | 30.18  | 23.01 | 17.33          | 14.28          | 3.00 | 42.87 | 3.05           | 7/8-20 UNEF   | 3/4-20 UNEF    |
| 14     | 30.18  | 23.01 | 17.33          | 19.05          | 3.00 | 52.37 | 3.05           | 7/8-20 UNEF   | 3/4-20 UNEF    |
| 16S    | 32.54  | 24.61 | 20.50          | 14.28          | 3.00 | 42.87 | 3.05           | 1-20 UNEF     | 7/8-20 UNEF    |
| 16     | 32.54  | 24.61 | 20.50          | 19.05          | 3.00 | 52.37 | 3.05           | 1-20 UNEF     | 7/8-20 UNEF    |
| 18     | 34.93  | 26.97 | 23.68          | 19.05          | 3.00 | 52.37 | 3.05           | 1 1/8-18 UNEF | 1-20 UNEF      |
| 20     | 38.10  | 29.36 | 26.88          | 19.05          | 3.00 | 55.57 | 3.05           | 1 1/4-18 UNEF | 1 3/16-18 UNEF |
| 22     | 41.28  | 31.75 | 30.03          | 19.05          | 3.00 | 55.57 | 3.05           | 1 3/8-18 UNEF | 1 3/16-18 UNEF |
| 24     | 44.45  | 34.93 | 33.20          | 20.63          | 3.00 | 55.57 | 3.73           | 1 1/2-18 UNEF | 1 7/16-18 UNEF |
| 28     | 50.80  | 39.67 | 38.77          | 20.63          | 3.00 | 55.57 | 3.73           | 1 3/4-18 UNEF | 1 7/16-18 UNEF |
| 32     | 57.15  | 44.45 | 45.12          | 22.23          | 3.00 | 61.92 | 4.39           | 2-18 UNS      | 1 3/4-18 UNS   |
| 36     | 63.50  | 49.23 | 50.68          | 22.23          | 3.00 | 61.92 | 4.39           | 2 1/4-16 UN   | 2-18 UNS       |
| 40     | 69.85  | 55.58 | 57.03          | 22.23          | 3.00 | 61.92 | 4.39           | 2 1/2-16 UN   | 2 1/2-16 UN    |

1. Todas las dimensiones en mm.

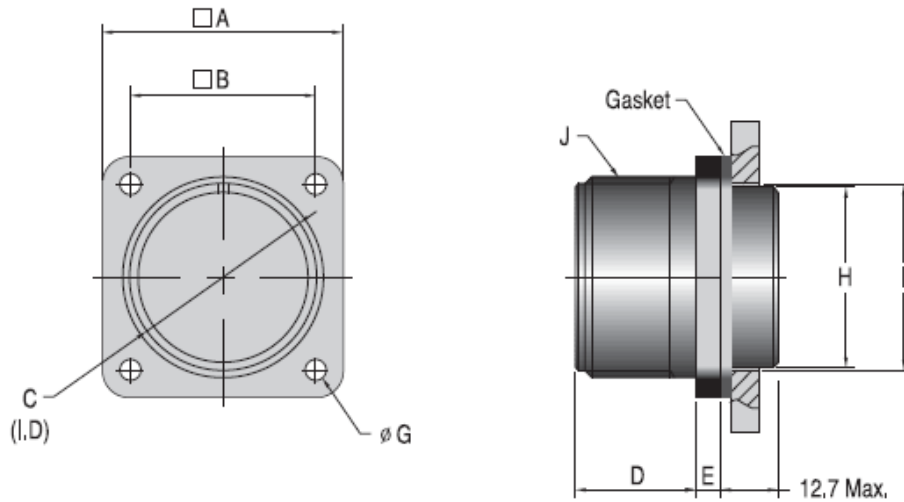
## ● PROLONGADOR AEREO MS3101A



| Cota   | A     | E     | H              | I     | J    | L             | N              |
|--------|-------|-------|----------------|-------|------|---------------|----------------|
| Tamaño | MAX.  | MAX.  | +0.38<br>-0.00 | MIN.  | MAX. | Rosca-2A      | Rosca-2A       |
| 8S     | 21.43 | 37.31 | 9.40           | 14.28 | 1.57 | 1/2-28 UNEF   | 1/2-28 UNEF    |
| 10S    | 24.61 | 38.88 | 11.38          | 14.28 | 1.57 | 5/8-24 UNEF   | 1/2-28 UNEF    |
| 10SL   | 24.61 | 38.88 | 11.38          | 14.28 | 1.57 | 5/8-24 UNEF   | 5/8-24 UNEF    |
| 12S    | 26.97 | 42.87 | 14.15          | 14.28 | 1.57 | 3/4-20 UNEF   | 5/8-24 UNEF    |
| 12     | 26.97 | 52.37 | 14.15          | 19.05 | 1.98 | 3/4-20 UNEF   | 5/8-24 UNEF    |
| 14S    | 29.36 | 42.87 | 17.38          | 14.28 | 1.83 | 7/8-20 UNEF   | 3/4-20 UNEF    |
| 14     | 29.36 | 52.37 | 17.38          | 19.05 | 1.98 | 7/8-20 UNEF   | 3/4-20 UNEF    |
| 16S    | 31.75 | 42.87 | 20.50          | 14.28 | 1.83 | 1-20 UNEF     | 7/8-20 UNEF    |
| 16     | 31.75 | 38.88 | 20.50          | 19.05 | 1.98 | 1-20 UNEF     | 7/8-20 UNEF    |
| 18     | 34.13 | 38.88 | 23.68          | 19.05 | 2.50 | 1 1/8-18 UNEF | 1-20 UNEF      |
| 20     | 37.31 | 55.57 | 26.88          | 19.05 | 2.50 | 1 1/4-18 UNEF | 1 3/16-18 UNEF |
| 22     | 40.48 | 55.57 | 30.03          | 19.05 | 3.00 | 1 3/8-18 UNEF | 1 3/16-18 UNEF |
| 24     | 43.66 | 58.72 | 33.20          | 20.63 | 3.00 | 1 1/2-18 UNEF | 1 7/16-18 UNEF |
| 28     | 50.01 | 58.72 | 38.77          | 20.63 | 3.00 | 1 3/4-18 UNEF | 1 7/16-18 UNEF |
| 32     | 56.36 | 61.92 | 45.12          | 22.23 | 3.00 | 2-18 UNS      | 1 3/4 UNS      |
| 36     | 62.71 | 61.92 | 50.68          | 22.23 | 3.00 | 2 1/4-16 UN   | 2-18 UNS       |
| 40     | 69.06 | 61.92 | 57.03          | 22.23 | 3.00 | 2 1/2-16 UN   | 2 1/2-16 UN    |

1. Todas las dimensiones en mm.

## ● BASE ESTANDAR MS3102A/E/R

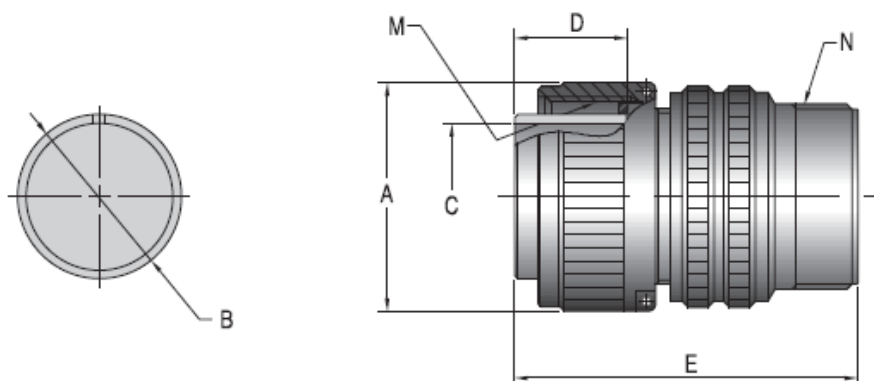


| Total tamaño | A     | B     | C              | D              | E    | G              | H              | I              | J             |
|--------------|-------|-------|----------------|----------------|------|----------------|----------------|----------------|---------------|
|              | -0.79 | 0.13  | +0.38<br>-0.00 | +0.79<br>-0.00 | 0.20 | +0.25<br>-0.12 | +0.00<br>-4.77 | +0.38<br>-0.00 | Rosca-2A      |
|              |       |       |                |                |      |                |                | MTG. Agujero   |               |
| 8S           | 22.22 | 15.09 | 9.4            | 14.28          | 3.00 | 3.05           | 13.5           | 14.27          | 1/2-28 UNEF   |
| 10S          | 25.40 | 18.26 | 11.38          | 14.28          | 3.00 | 3.05           | 16.66          | 17.47          | 5/8-24 UNEF   |
| 10SL         | 25.40 | 18.26 | 11.38          | 14.28          | 3.00 | 3.05           | 19.35          | 20.62          | 5/8-24 UNEF   |
| 12S          | 27.79 | 20.62 | 14.15          | 14.28          | 3.00 | 3.05           | 19.35          | 20.62          | 3/4-20 UNEF   |
| 12           | 27.79 | 20.62 | 14.15          | 19.05          | 3.00 | 3.05           | 19.35          | 20.62          | 3/4-20 UNEF   |
| 14S          | 30.18 | 23.01 | 17.33          | 14.28          | 3.00 | 3.05           | 23.01          | 23.83          | 7/8-20 UNEF   |
| 14           | 30.18 | 23.01 | 17.33          | 19.05          | 3.00 | 3.05           | 23.01          | 23.83          | 7/8-20 UNEF   |
| 16S          | 32.54 | 24.61 | 20.50          | 14.28          | 3.00 | 3.05           | 26.21          | 26.97          | 1-20 UNEF     |
| 16           | 32.54 | 24.61 | 20.50          | 19.05          | 3.00 | 3.05           | 26.21          | 26.97          | 1-20 UNEF     |
| 18           | 34.93 | 26.97 | 23.68          | 19.05          | 4.00 | 3.05           | 29.36          | 30.18          | 1 1/8-18 UNEF |
| 20           | 38.10 | 29.36 | 26.88          | 19.05          | 4.00 | 3.05           | 32.56          | 33.32          | 1 1/4-18 UNEF |
| 22           | 41.28 | 31.75 | 30.03          | 19.05          | 4.00 | 3.05           | 35.71          | 36.53          | 1 3/8-18 UNEF |
| 24           | 44.45 | 34.93 | 33.20          | 20.63          | 4.00 | 3.75           | 38.91          | 39.67          | 1 1/2-18 UNEF |
| 28           | 50.80 | 39.67 | 38.77          | 20.63          | 4.00 | 3.75           | 45.26          | 46.02          | 1 3/4-18 UNEF |
| 32           | 57.15 | 44.45 | 45.12          | 22.23          | 4.00 | 4.39           | 51.61          | 52.37          | 2-18 UNS      |
| 36           | 63.50 | 49.23 | 50.68          | 22.23          | 4.00 | 4.39           | 57.96          | 58.72          | 2 1/4-16 UN   |
| 40           | 69.85 | 55.58 | 57.03          | 22.23          | 4.00 | 4.39           | 64.31          | 65.07          | 2 1/2-16 UN   |

1. Todas las medidas en mm.

## ● Conector Aereo

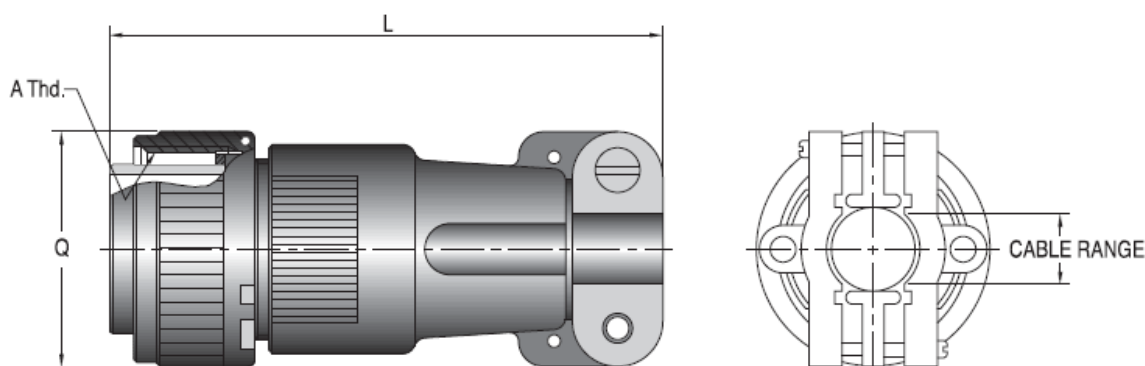
### MS3106A



| Cota<br>Tamaño | A<br>MAX. | B<br>$+0.00$<br>$-0.38$<br>(0 °SD) | C<br>MIN.<br>(1 °SD) | D<br>-0.12 | E<br>MAX. | M<br>Rosca-2B | N<br>Rosca-2A  |
|----------------|-----------|------------------------------------|----------------------|------------|-----------|---------------|----------------|
| 8S             | 21.43     | 9.27                               | 6.41                 | 13.49      | 37.3      | 1/2-28 UNEF   | 1/2-28 UNEF    |
| 10S            | 24.61     | 11.33                              | 8.21                 | 13.49      | 38.88     | 5/8-24 UNEF   | 1/2-28 UNEF    |
| 10SL           | 24.61     | 11.33                              | 8.21                 | 13.49      | 38.88     | 5/8-24 UNEF   | 5/8-24 UNEF    |
| 12S            | 26.97     | 14.10                              | 11.43                | 13.49      | 42.87     | 3/4-20 UNEF   | 5/8-24 UNEF    |
| 12             | 26.97     | 14.10                              | 11.43                | 18.26      | 52.37     | 3/4-20 UNEF   | 5/8-24 UNEF    |
| 14S            | 29.36     | 17.15                              | 13.37                | 13.49      | 42.87     | 7/8-20 UNEF   | 3/4-20 UNEF    |
| 14             | 29.36     | 17.15                              | 13.37                | 18.26      | 52.37     | 7/8-20 UNEF   | 3/4-20 UNEF    |
| 16S            | 31.75     | 20.45                              | 16.54                | 13.49      | 42.87     | 1-20 UNEF     | 7/8-20 UNEF    |
| 16             | 31.75     | 20.45                              | 16.54                | 18.26      | 52.37     | 1-20 UNEF     | 7/8-20 UNEF    |
| 18             | 34.13     | 23.62                              | 19.72                | 18.26      | 52.37     | 1 1/8-18 UNEF | 1-20 UNEF      |
| 20             | 37.31     | 26.67                              | 23.68                | 18.26      | 55.57     | 1 1/4-18 UNEF | 1 3/16-18 UNEF |
| 22             | 40.48     | 29.85                              | 26.07                | 18.26      | 55.57     | 1 3/8-18 UNEF | 1 3/16-18 UNEF |
| 24             | 43.66     | 33.02                              | 29.24                | 18.26      | 58.72     | 1 1/2-18 UNEF | 1 7/16-18 UNEF |
| 28             | 50.01     | 38.61                              | 34.80                | 18.26      | 58.72     | 1 3/4-18 UNEF | 1 7/16-18 UNEF |
| 32             | 56.36     | 44.96                              | 41.15                | 18.26      | 61.92     | 2-18 UNS      | 1 3/4-18 UNS   |
| 36             | 62.71     | 50.29                              | 46.69                | 18.26      | 61.92     | 2 1/4-16 UN   | 2-18 UNS       |
| 40             | 69.06     | 56.64                              | 52.25                | 18.26      | 61.92     | 2 1/2-16 UN   | 2 1/4-16 UN    |

1. Todas las cotas en mm.

## ● Conector Aereo MS3106E

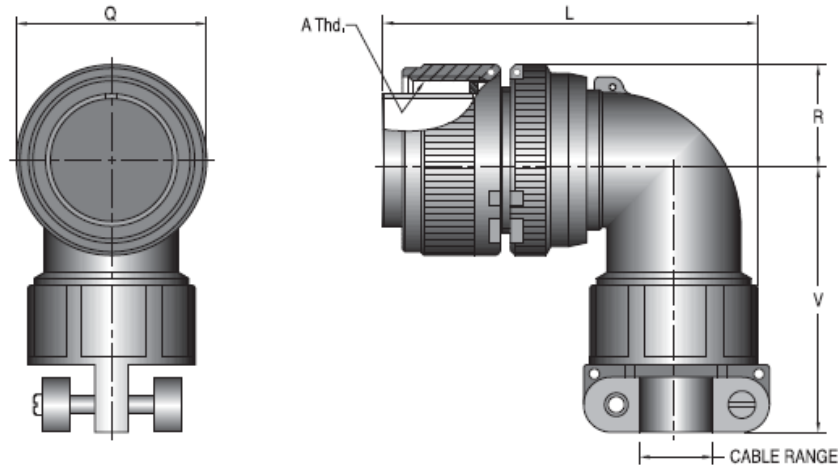


| Cota<br>Tamaño | A<br>Rosca Acoplamiento<br>Clase 2B | L<br>MAX.        | Q<br>MAX.        | Z<br>MAX.        | Rango<br>Cable   |                  |
|----------------|-------------------------------------|------------------|------------------|------------------|------------------|------------------|
|                |                                     |                  |                  |                  | Abierto          | Cerrado          |
| 8S             | 1/2-28 UNEF                         | 2.250<br>[57.15] | .844<br>[21.44]  | 1.046<br>[26.57] | .250<br>[6.35]   | .125<br>[3.18]   |
| 10S            | 5/8-24 UNEF                         | 2.250<br>[57.15] | .969<br>[24.61]  | 1.046<br>[26.57] | .250<br>[6.35]   | .125<br>[3.18]   |
| 10SL           | 5/8-24 UNEF                         | 2.250<br>[57.15] | .969<br>[24.61]  | 1.125<br>[28.57] | .312<br>[7.92]   | .125<br>[3.18]   |
| 12             | 3/4-20 UNEF                         | 2.625<br>[66.67] | 1.062<br>[26.97] | 1.125<br>[28.57] | .312<br>[7.92]   | .125<br>[3.18]   |
| 12S            | 3/4-20 UNEF                         | 2.250<br>[57.15] | 1.062<br>[26.97] | 1.125<br>[28.57] | .312<br>[7.92]   | .125<br>[3.18]   |
| 14             | 7/8-20 UNEF                         | 2.625<br>[66.67] | 1.156<br>[29.36] | 1.343<br>[34.11] | .438<br>[11.13]  | .250<br>[6.35]   |
| 14S            | 7/8-20 UNEF                         | 2.250<br>[57.15] | 1.156<br>[29.36] | 1.343<br>[34.11] | .438<br>[11.13]  | .250<br>[6.35]   |
| 16             | 1-20 UNEF                           | 2.250<br>[57.15] | 1.250<br>[31.75] | 1.484<br>[37.69] | .562<br>[14.27]  | .312<br>[7.92]   |
| 16S            | 1-20 UNEF                           | 2.250<br>[57.15] | 1.250<br>[31.75] | 1.484<br>[37.69] | .562<br>[14.27]  | .312<br>[7.92]   |
| 18             | 1 1/8-18 UNEF                       | 2.688<br>[68.28] | 1.344<br>[34.14] | 1.609<br>[40.87] | .625<br>[15.88]  | .350<br>[8.89]   |
| 20             | 1 1/4-18 UNEF                       | 2.750<br>[69.85] | 1.469<br>[37.31] | 1.890<br>[48.01] | .750<br>[19.05]  | .500<br>[12.70]  |
| 22             | 1 3/8-18 UNEF                       | 2.750<br>[69.85] | 1.594<br>[40.49] | 1.890<br>[48.01] | .750<br>[19.05]  | .500<br>[12.70]  |
| 24             | 1 1/2-18 UNEF                       | 2.969<br>[75.41] | 1.719<br>[43.66] | 2.170<br>[55.12] | .938<br>[23.83]  | .625<br>[15.88]  |
| 28             | 1 3/4-18 UNS                        | 3.031<br>[76.99] | 1.969<br>[50.01] | 2.170<br>[55.12] | .938<br>[23.83]  | .625<br>[15.88]  |
| 32             | 2-18 UNS                            | 3.031<br>[76.99] | 2.219<br>[56.36] | 2.656<br>[67.46] | 1.250<br>[31.75] | .875<br>[22.23]  |
| 36             | 2 1/4-16 UN                         | 3.281<br>[83.34] | 2.469<br>[62.71] | 2.922<br>[74.22] | 1.375<br>[34.93] | 1.000<br>[25.40] |
| 40             | 2 1/2-16 UN                         | 3.500<br>[88.90] | 2.719<br>[69.06] | 3.520<br>[89.41] | 1.625<br>[41.28] | 1.250<br>[31.75] |

1. Todas las dimensiones entre [ ] en mm.



## ● Conector Aereo 90° MS3108R

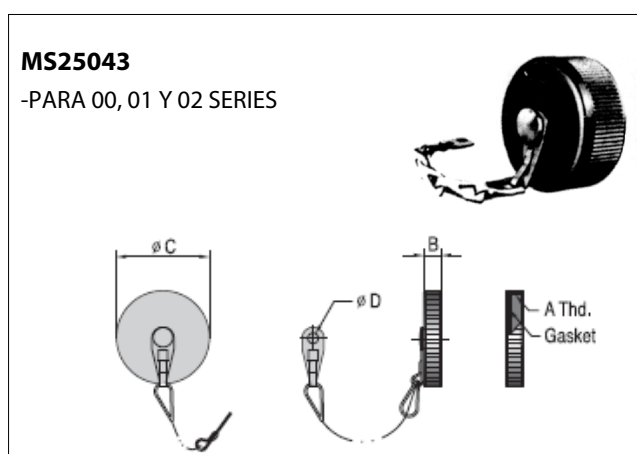
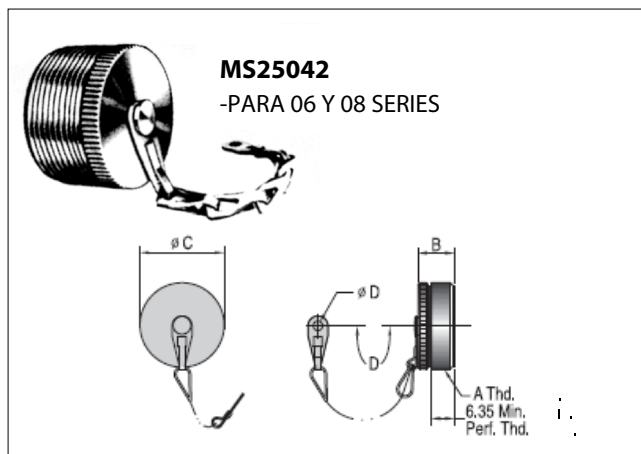


| Cota<br>Tamaño | A<br>Acoplamiento roscado<br>Clase 2A | L<br>MAX.         | Q<br>MAX.        | R<br>MAX.        | U<br>MAX.        | Rango<br>Cable   |                  |
|----------------|---------------------------------------|-------------------|------------------|------------------|------------------|------------------|------------------|
|                |                                       |                   |                  |                  |                  | Abierto          | Cerrado          |
| 8S             | 1/2-28 UNEF                           | 2.156<br>[54.76]  | .844<br>[21.44]  | .422<br>[10.72]  | 1.469<br>[37.31] | .250<br>[6.35]   | .125<br>[3.18]   |
| 10S            | 5/8-24 UNEF                           | 2.156<br>[54.76]  | .969<br>[24.61]  | .516<br>[13.11]  | 1.469<br>[37.31] | .250<br>[6.35]   | .125<br>[3.18]   |
| 10SL           | 5/8-24 UNEF                           | 2.188<br>[55.58]  | .969<br>[24.61]  | .516<br>[13.11]  | 1.500<br>[38.10] | .312<br>[7.92]   | .125<br>[3.18]   |
| 12             | 3/4-20 UNEF                           | 2.531<br>[64.29]  | 1.062<br>[26.97] | .562<br>[14.27]  | 1.500<br>[38.10] | .312<br>[7.92]   | .125<br>[3.18]   |
| 12S            | 3/4-20 UNEF                           | 2.188<br>[57.15]  | 1.062<br>[26.97] | .562<br>[14.27]  | 1.500<br>[38.10] | .312<br>[7.92]   | .125<br>[3.18]   |
| 14             | 7/8-20 UNEF                           | 2.688<br>[68.28]  | 1.156<br>[29.36] | .625<br>[15.87]  | 1.594<br>[40.49] | .438<br>[11.13]  | .250<br>[6.35]   |
| 14S            | 7/8-20 UNEF                           | 2.312<br>[58.72]  | 1.156<br>[29.36] | .625<br>[15.87]  | 1.594<br>[40.49] | .438<br>[11.13]  | .250<br>[6.35]   |
| 16             | 1-20 UNEF                             | 2.781<br>[70.64]  | 1.250<br>[31.75] | .688<br>[17.48]  | 1.688<br>[42.88] | .562<br>[14.27]  | .312<br>[7.92]   |
| 16S            | 1-20 UNEF                             | 2.406<br>[61.11]  | 1.250<br>[31.75] | .688<br>[17.48]  | 1.688<br>[42.88] | .562<br>[14.27]  | .312<br>[7.92]   |
| 18             | 1 1/8-18 UNEF                         | 2.844<br>[72.24]  | 1.344<br>[34.14] | .750<br>[19.05]  | 1.781<br>[45.24] | .625<br>[15.88]  | .350<br>[8.89]   |
| 20             | 1 1/4-18 UNEF                         | 3.250<br>[82.55]  | 1.469<br>[37.31] | .844<br>[21.44]  | 1.969<br>[50.01] | .750<br>[19.05]  | .500<br>[12.70]  |
| 22             | 1 3/8-18 UNEF                         | 3.250<br>[82.55]  | 1.594<br>[40.49] | .906<br>[23.01]  | 2.000<br>[50.80] | .750<br>[19.05]  | .500<br>[12.70]  |
| 24             | 1 1/2-18 UNEF                         | 3.719<br>[94.46]  | 1.719<br>[43.66] | .953<br>[24.21]  | 2.125<br>[53.97] | .938<br>[23.83]  | .625<br>[15.88]  |
| 28             | 1 3/4-18 UNS                          | 3.719<br>[94.46]  | 1.969<br>[50.01] | 1.094<br>[27.79] | 2.188<br>[55.58] | .938<br>[23.83]  | .625<br>[15.88]  |
| 32             | 2-18 UNS                              | 4.188<br>[106.38] | 2.219<br>[56.36] | 1.234<br>[31.34] | 2.594<br>[65.89] | 1.250<br>[31.75] | .875<br>[22.23]  |
| 36             | 2 1/4-16 UN                           | 4.297<br>[109.14] | 2.469<br>[62.71] | 1.359<br>[34.52] | 2.719<br>[69.06] | 1.375<br>[34.93] | 1.000<br>[25.40] |
| 40             | 2 1/2-16 UN                           | 4.516<br>[114.71] | 2.719<br>[69.06] | 1.422<br>[36.12] | 3.188<br>[80.98] | 1.625<br>[41.28] | 1.250<br>[31.75] |

1. Todas las dimensiones entre [ ] mm.

## ● Accesorios

### Tapas protectoras de metal



## ● Información para referenciar

**MS25042 - 12 D A**

SERIE MS

MEDIDA

ESTILO CADENA

ACABADO

#### ESTILO CADENA

- A - Aleación de cobre
- C - Aleación de cobre con revestimiento verdoso
- D - Inox, con cadena pasivado
- R - Cuerda de acero inoxidable

#### ACABADO

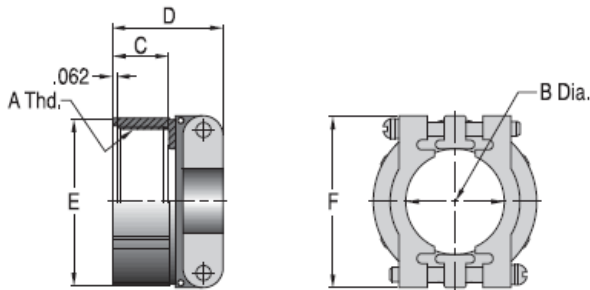
- A - Anodizado negro
- N - Electrolítico níquel
- W - Cadmio, Verde oliva
- Z - Verde cromo sobre baño de plata

| TAMAÑO NO | Cota Tamaño | MS 25042-(TAPON PARA AEREO) PARA 006 Y 08 |        |        |               | MS 25043-(TAPON PARA BASE) PARA 00,01 Y 02 |        |        |               |
|-----------|-------------|---|--------|--------|---------------|--|--------|--------|---------------|
|           |             | A Rosca (-2A)                             | B Max. | C Max. | D +0.00 -0.37 | A Rosca (-2B)                              | B Max. | C Max. | D +0.00 -0.37 |
| 8         | 8S,         | 1/2-28 UNEF                               | 16.66  | 14.27  | 4.22          | 1/2-28 UNEF                                | 11.91  | 17.48  | 3.81          |
| 10        | 10S,10SL    | 5/8-24 UNEF                               | 16.66  | 17.45  | 4.22          | 5/8-24 UNEF                                | 11.91  | 20.70  | 3.81          |
| 12        | 12S, 12     | 3/4-20 UNEF                               | 21.44  | 20.62  | 4.22          | 3/4-20 UNEF                                | 11.91  | 25.40  | 3.81          |
| 14        | 14S, 14     | 7/8-20 UNEF                               | 21.44  | 23.80  | 4.22          | 7/8-20 UNEF                                | 11.91  | 28.58  | 3.81          |
| 16        | 16S,16      | 1-20 UNEF                                 | 21.44  | 26.97  | 4.22          | 1-20 UNEF                                  | 11.91  | 30.18  | 3.81          |
| 18        | 18          | 1 1/8-18 UNEF                             | 21.44  | 30.15  | 4.22          | 1 1/8-18 UNEF                              | 11.91  | 34.13  | 3.81          |
| 20        | 20          | 1 1/4-18 UNEF                             | 21.44  | 33.32  | 5.0           | 1 1/4-18 UNEF                              | 11.91  | 37.31  | 3.81          |
| 22        | 22          | 1 3/8-18 UNEF                             | 21.44  | 36.50  | 5.0           | 1 3/8-18 UNEF                              | 11.91  | 40.49  | 3.81          |
| 24        | 24          | 1 1/2-18 UNEF                             | 21.44  | 39.67  | 5.0           | 1 1/2-18 UNEF                              | 11.91  | 43.66  | 4.58          |
| 28        | 28          | 1 3/4-18 UNEF                             | 21.44  | 46.02  | 5.0           | 1 3/4-18 UNEF                              | 13.49  | 50.01  | 4.58          |
| 32        | 32          | 2-18 UNS                                  | 21.44  | 52.37  | 5.79          | 2-18 UNS                                   | 13.49  | 56.36  | 5.0           |
| 36        | 36          | 2 1/4-16 UN                               | 21.44  | 58.72  | 5.79          | 2 1/4-16 UN                                | 13.49  | 62.71  | 5.0           |
| 40        | 40          | 2 1/2-16 UN                               | 21.44  | 65.07  | 5.79          | 2 1/2-16 UN                                | 13.49  | 69.06  | 5.0           |
| 44        | 44          | 2 3/4-16 UN                               | 21.44  | 71.42  | 5.79          | 2 3/4-16 UN                                | 13.49  | 75.41  | 5.0           |
| 48        | 48          | 3-16 UN                                   | 21.44  | 77.77  | 5.79          | 3-16 UN                                    | 13.49  | 80.98  | 5.0           |

1. Todas las dimensiones en mm.

## ● Accesorios MS3057- Brida

### ● Informacion para referenciar



MS3057 - 12A A

SERIE

TAMAÑO

ESTILO CADENA

ACABADO

A -Anoizado negro

N - Electroлитico niquel

W - Cadmio, Verde oliva

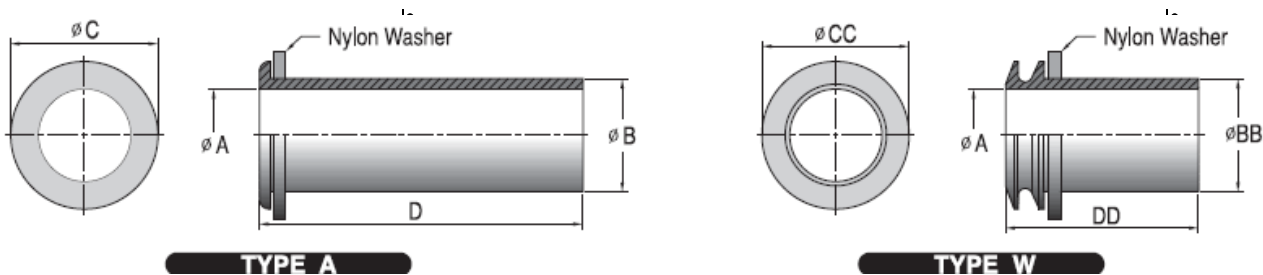
Z Verde cromo sobre baño de plata

| Tipo No. | Conector Tamaño (Ref) | A Cabeza         | B Wire Bundle Accommodation Max. | C           | D            | E            | F            |
|----------|-----------------------|------------------|----------------------------------|-------------|--------------|--------------|--------------|
| 3        | 8S & 10S              | .500-28 UNEF-2B  | .250[6.35]                       | .406[10.31] | .812[20.62]  | .688[17.48]  | .812[20.62]  |
| 4        | 10SL, 12S & 12        | .625-24 UNEF-2B  | .312[7.92]                       | .406[10.31] | .812[20.62]  | .812[20.62]  | .875[22.22]  |
| 6        | 14S, & 14             | .750-20 UNEF-2B  | .438[11.13]                      | .406[10.31] | .875[22.22]  | .969[24.61]  | 1.062[26.97] |
| 8        | 16S, 16               | .875-20 UNEF-2B  | .562[14.27]                      | .406[10.31] | .938[23.83]  | 1.094[27.79] | 1.156[29.36] |
| 10       | 18                    | 1.000-20 UNEF-2B | .625[15.88]                      | .406[10.31] | .938[23.83]  | 1.188[30.18] | 1.250[31.75] |
| 12       | 20 & 22               | 1.188-18 UNEF-2B | .750[19.05]                      | .406[10.31] | .938[23.83]  | 1.375[34.93] | 1.469[37.31] |
| 16       | 24 & 28               | 1.438-18 UNEF-2B | .938[23.83]                      | .406[10.31] | 1.031[26.19] | 1.656[42.06] | 1.688[42.88] |
| 20       | 32                    | 1.750-18 UNS-2B  | 1.250[31.75]                     | .469[11.91] | 1.094[27.79] | 2.031[51.59] | 2.031[51.59] |
| 24       | 36                    | 2.000-18 UNS-2B  | 1.375[34.93]                     | .531[13.49] | 1.156[29.36] | 2.219[56.36] | 2.281[57.94] |
| 28       | 40                    | 2.250-16 UN-2B   | 1.625[41.28]                     | .531[13.49] | 1.688[42.88] | 2.500[63.50] | 2.688[68.28] |

1. Dimensiones entre [ ] son en milímetros.

## MS3420-Manguito de abrazadera

### ● Informacion para referenciar



TYPE A

TYPE W

MS3420 - 12 A

SERIE.

TAMAÑO.

TIPO.

TIPO

A - Tipo estandar

W - Protegido de agua

| TAMAÑO No. | A            | B            | BB           | C            | CC           | D            | DD           | TIPO BRIDA   |
|------------|--------------|--------------|--------------|--------------|--------------|--------------|--------------|--------------|
| 3          | .130[3.30]   | .210[5.33]   | -            | .379[9.63]   | °§           | 2.875[73.03] | -            | MS5037-3A *  |
| 4          | .220[5.59]   | .302[7.67]   | .302[7.67]   | .551[14.00]  | .465[11.81]  | 2.750[69.85] | 1.516[38.51] | MS5037-4A *  |
| 6          | .312[7.92]   | .427[10.85]  | .427[10.85]  | .669[16.99]  | .579[14.71]  | 2.625[66.68] | 1.516[38.51] | MS5037-6A *  |
| 8          | .437[11.10]  | .552[14.02]  | .552[14.02]  | .787[20.00]  | .705[17.91]  | 2.500[63.50] | 1.516[38.51] | MS5037-8A *  |
| 10         | .562[14.27]  | .615[15.62]  | .615[15.62]  | .917[23.29]  | .850[21.59]  | 2.375[60.33] | 1.516[38.51] | MS5037-10A * |
| 10-1       | .472[12.00]  | -            | .615[15.62]  | -            | .850[21.59]  | -            | 1.516[38.51] | MS5037-10A * |
| 10-2       | .453[11.51]  | -            | .615[15.62]  | -            | .850[21.59]  | -            | 1.516[38.51] | MS5037-10A * |
| 12         | .625[15.88]  | .740[18.80]  | .740[18.80]  | 1.102[27.99] | .988[25.10]  | 2.250[57.15] | 1.547[39.29] | MS5037-12A * |
| 12-1       | .512[13.00]  | -            | .740[18.80]  | -            | .988[25.10]  | -            | 1.547[39.29] | MS5037-12A * |
| 12-2       | .492[12.50]  | °§           | .740[18.80]  | -            | .988[25.10]  | -            | 1.547[39.29] | MS5037-12A * |
| 16         | .750[19.05]  | .927[23.55]  | .927[23.55]  | 1.350[34.29] | 1.201[30.51] | 2.125[53.98] | 1.575[40.01] | MS5037-16A * |
| 16-1       | .610[15.49]  | -            | .927[23.55]  | -            | 1.201[30.51] | -            | 1.575[40.01] | MS5037-16A * |
| 20         | .937[23.80]  | 1.240[31.50] | 1.240[31.50] | 1.654[42.01] | 1.504[38.20] | 2.000[50.80] | 1.614[41.00] | MS5037-20A * |
| 24         | 1.250[31.75] | 1.365[34.67] | -            | 1.902[48.31] | -            | 1.875[47.63] | -            | MS5037-24A * |
| 28         | 1.375[34.93] | 1.641[41.00] | -            | 2.085[52.96] | -            | 1.750[44.45] | -            | MS5037-28A * |

1. Dimensiones entre [ ] son en milímetros.

# ● Disposicion de contactos.

## 5015

Tipos de contactos #16 #12 #8 #4 #0



|  |  |  |
|--|--|--|
| <p><b>3 CONTACTOS</b></p> <p>10SL-3<br/>3 - #16<br/>A</p> <p>14S-7<br/>3 - #16<br/>A</p> | <p><b>4 CONTACTOS</b></p> <p>14S-2<br/>4-#16<br/>inst.</p> <p>18-4<br/>4-#16<br/>D</p> | <p><b>5 CONTACTOS</b></p> <p>14S-5<br/>5 - #16<br/>inst.</p> |
| <p><b>7 CONTACTOS</b></p> <p>16S-1<br/>7-#16<br/>A</p> <p>24-2<br/>7-#12<br/>D</p>       | <p><b>10 CONTACTOS</b></p> <p>18-1<br/>10-#16<br/>A.B.C.G.G=Inst.,BAL</p>              | <p><b>14 CONTACTOS</b></p> <p>20-27<br/>14-#16<br/>A</p>     |
| <p><b>17 CONTACTOS</b></p> <p>20-29<br/>17-#16<br/>A</p>                                 | <p><b>19 CONTACTOS</b></p> <p>22-14<br/>19-#16<br/>A</p>                               | <p><b>26 CONTACTOS</b></p> <p>28-12<br/>26 - # 16<br/>A</p>  |
| <p><b>37 CONTACTOS</b></p> <p>28-21<br/>37-#16<br/>A</p>                                 | <p><b>48 CONTACTOS</b></p> <p>36-10<br/>48 - # 16<br/>A</p>                            | <p><b>52 CONTACTOS</b></p> <p>36-52<br/>52- # 16<br/>A</p>   |
| <p><b>85 CONTACTOS</b></p> <p>40-56<br/>85- # 16<br/>A</p>                               |  |  |